

# THANK YOU FOR SELECTING A HUSKY FLOOR LINER FROM WINFIELD CONSUMER PRODUCTS

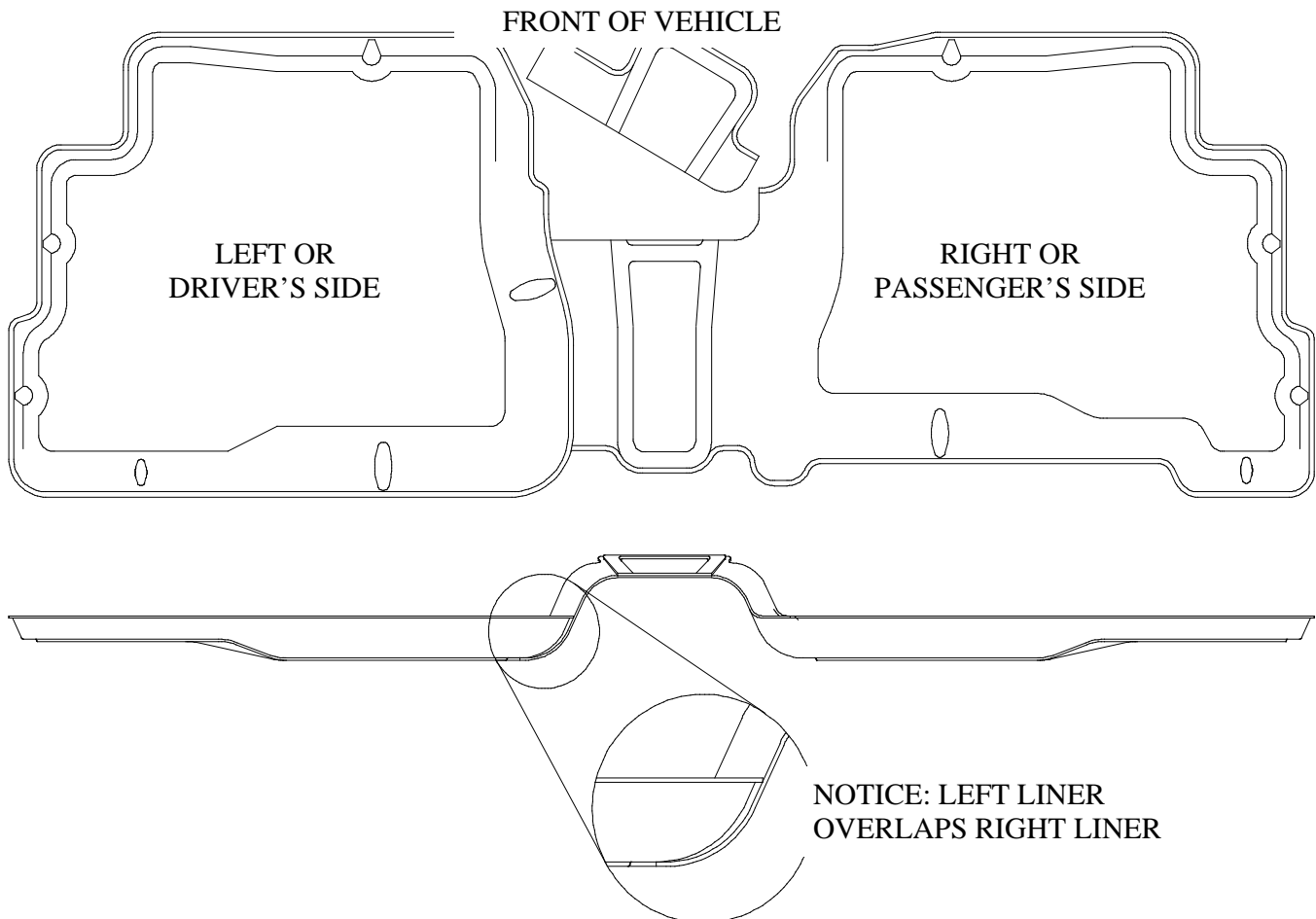
## CARE AND USE INSTRUCTIONS

---

Your new floor liner is custom molded to fit your particular vehicle. The liners are made to take the place of your factory floor mats. For correct fit it is necessary to remove the factory floor mats before installing your new floor liners. *However, do not remove the factory installed carpeting.*

Your liners are made from an engineering resin that is lightweight and extremely tough and durable. The easiest way to clean your liners is with a damp cloth or sponge. If using a cleaner, 409<sup>®</sup> or Glass Plus<sup>®</sup> work well. Use of Armor All<sup>®</sup>, Son-of-a-Gun<sup>®</sup> or similar items is discouraged as these products make the liners slick.

## INSTALLATION INSTRUCTIONS FOR YOUR TOYOTA TACOMA SECOND SEAT LINER



TACOMA'S EQUIPPED WITH A CENTER CONSOLE WILL NEED TO HAVE THEIR HUSKY LINERS TRIMMED TO ALLOW PROPER FIT. TRIM LINER FOLLOWING THE SCRIBED LINES ON THE PASSENGER SIDE LINER'S HUMP PORTION, PASSING APPROXIMATELY  $\frac{1}{2}$ " ABOVE THE RAISED BAND BISECTING THE TREADED AREA ON THE HUMP (SEE ABOVE). A UTILITY KNIFE OR HEAVY SHEARS WORK WELL FOR TRIMMING. A PHOTO ON THE BACK SHOWS A TRIMMED PART.

PART NUMBER 6510 TOYOTA TACOMA SHOWN TRIMMED FOR  
FACTORY CENTER CONSOLE

