

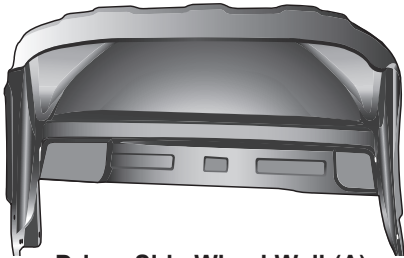


# WHEEL WELL LINERS

## 14-18 CHEVY SIVERADO 1500

## 15-19 CHEVY SIVERADO 2500/3500

### LIST OF CONTENTS:

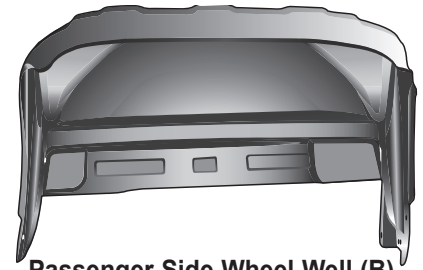
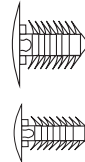


Driver Side Wheel Well (A)

- (A) 1 - Driver Side Wheel Well  
(B) 1 - Passenger Side Wheel Well

#### LIK52 KIT:

- (C) 14 - Big Christmas Tree Fasteners  
(D) 2 - Small Christmas Tree Fasteners



Passenger Side Wheel Well (B)

### TOOLS REQUIRED:

- T-15 Torx bit / driver in steps 3 & 10.

## INSTALLATION INSTRUCTIONS

Installation Video available @ [huskyliners.com/79011](http://huskyliners.com/79011)

### 1

**PLEASE READ INSTRUCTIONS CAREFULLY BEFORE STARTING THE INSTALLATION.**

One person can perform the installation.

### 2

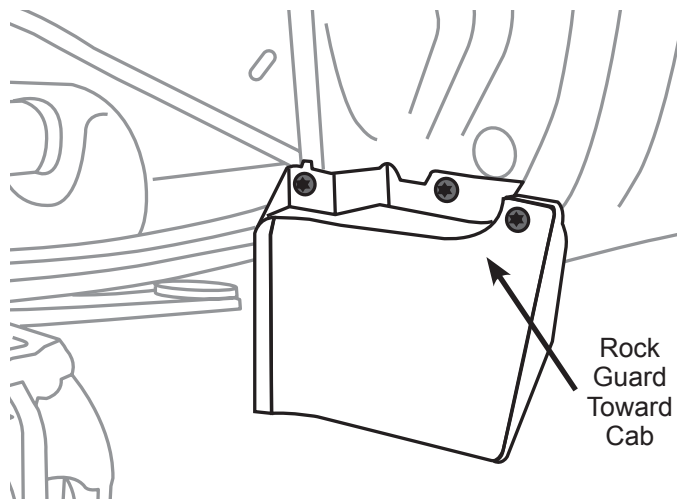
#### VEHICLE PREPARATION:

It is important that all areas where the wheel wells mount are clean and free of debris prior to installing.

### 3

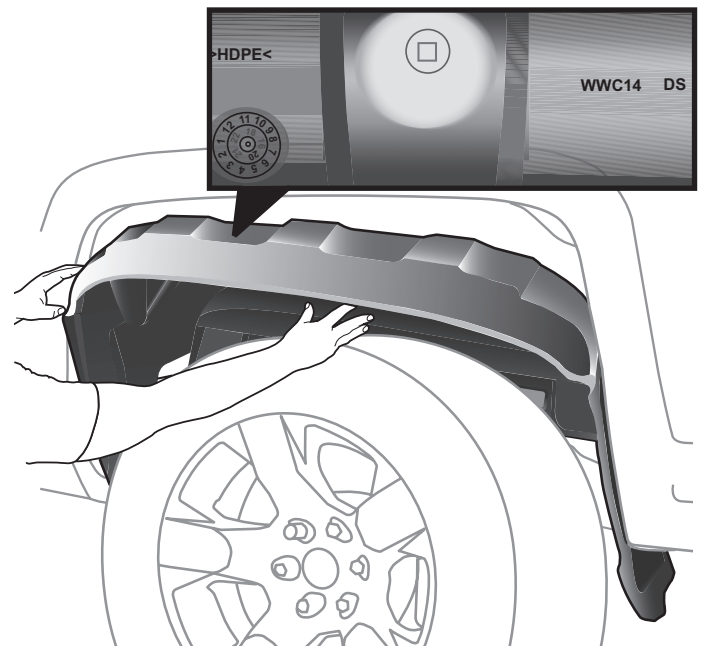
**Note:** If your truck model came without rock guards and a factory WWG please skip to step 4.

**Note:** If your truck model came with rock guards, and/ factory WWG remove the factory fasteners using a T-15 Torx bit / driver holding the factory rock guard and WWG in place. (**Keep all factory fasteners**).



### 4

Start on the driver side by setting the driver side wheel well (A) marked as (DS) inside the inner panel of the truck's wheel well behind the tire.



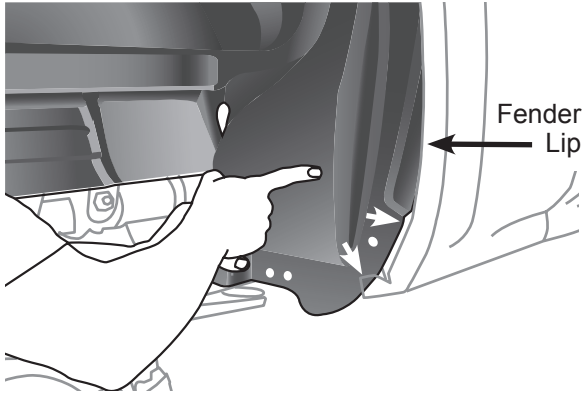


# WHEEL WELL LINERS

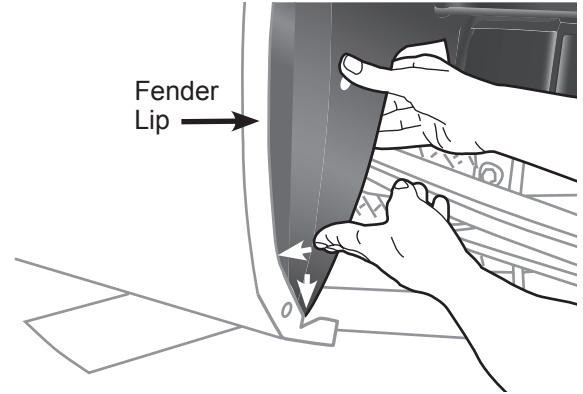
## 14-18 CHEVY SIVERADO 1500

## 15-19 CHEVY SIVERADO 2500/3500

- 5** Tuck the lower cab part of the wheel well liner behind the metal lip of truck's fender.



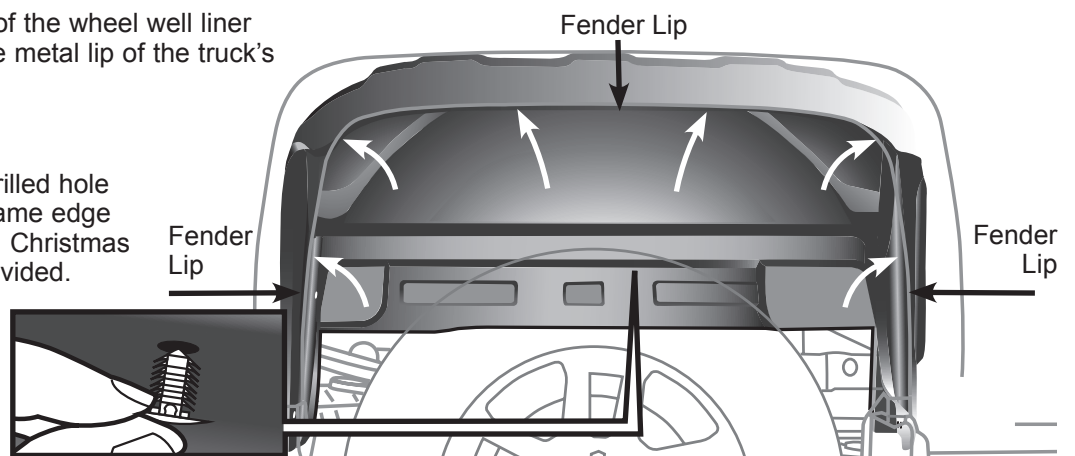
- 6** Tuck the lower tail part of the wheel well liner behind the metal lip of truck's fender.



- 7** Tuck the upper part of the wheel well liner behind the rest of the metal lip of the truck's fender.

- 8** Locate the (1) pre-drilled hole located below the frame edge and install one small Christmas tree fastener (D) provided.

**Note: For trucks with factory WWG's.** Use the factory screws that you saved in step 3.



- 9** **Note: For trucks without factory rock guards**

Locate pre-drilled hole 6 at the bottom inside corner of the wheel well liner and install one big Christmas tree fastener (C) provided.

- 10** **Note: For trucks with factory rock guards**  
Use the factory screws that you saved in step 3.

- 11** Locate the (5) pre-drilled holes in the wheel well liner to install big Christmas tree fastener (C) in each.

- 12** Repeat steps 3-11 on the passenger side when installing the passenger side wheel well (B).

Installation Video available @ [huskyliners.com/79011](http://huskyliners.com/79011)